

Patio post

The attractive alternative to conventional patio posts

The LYSAGHT patio post is an attractive post designed from the ground up for maximum visual impact and structural strength. The post is made from extruded aluminium and features a fluted profile and high gloss powder-coated finish. When used with LYSAGHT FIRMLOK beams, and LYSAGHT FLATDEK roof sheeting, the LYSAGHT patio post provides the perfect solution to any home improvement project.

The posts sit neatly on die-cast aluminium feet which are easily fastened to concrete.

- Available in a range of high gloss colours
- Available in three stock lengths: 2700, 3000 and 6000 mm

Uplift forces (maximum)

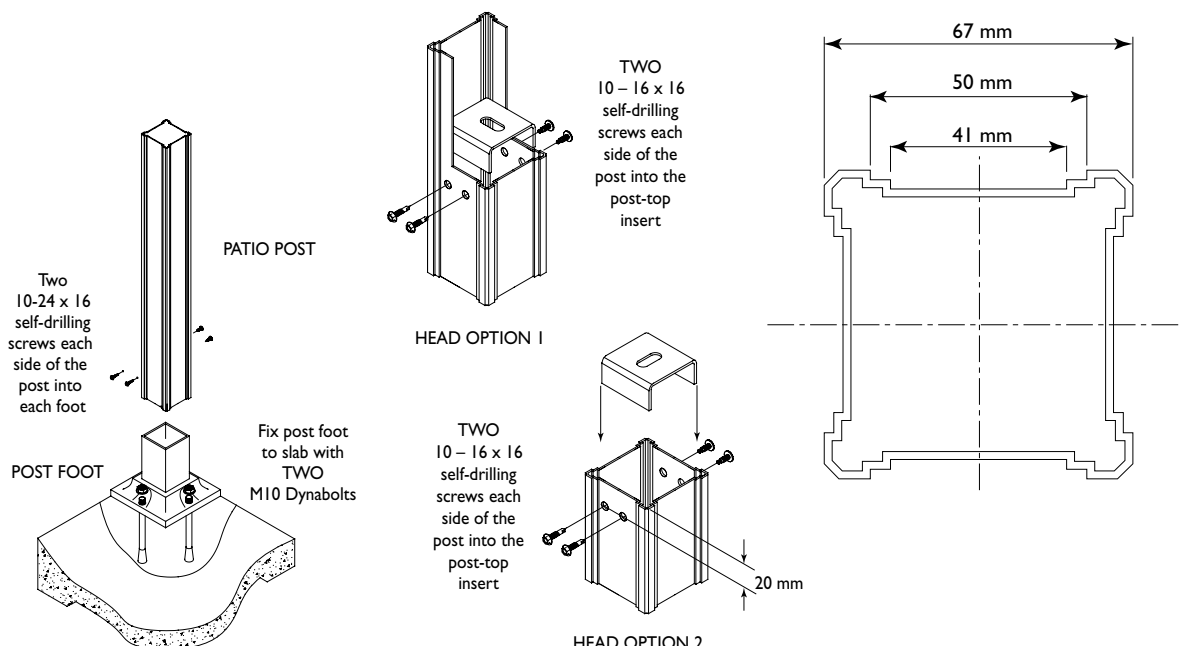
- Sustainable by foot (as detailed with two M10 Dynabolts) 18 kN
- Sustainable by head with one central M8 bolt in slotted hole (as detailed with four 10—16 x 16 screws) 14 kN

Greater uplift forces can be sustained at the head-to-post connection by fixing FIRMLOK beams to posts with FIRMLOK Universal Brackets. Forces will depend on the number of screws used (see our LYSAGHT FIRMLOK beams literature).

Post capacity	Wind Classifications	N1	N2	N3	N4
Maximum allowable area of roof per post (Governing factor is uplift force of 14kN)		(W28N) 21.2m ²	(W33N) 15.5m ²	(W41N) 10.3m ²	(W50N) 7.0m ²

Post details

Wall thickness	Area	Mass	Temper	Moments of inertia
1.6 mm	453.29 mm ²	1.23 kg/m	T5	$I_{xx} = I_{yy} = 0.292 \times 10^6 \text{ mm}^2$



LYSAGHT patio post

Storage and handling

Keep the product dry and clear of the ground. If stacked or bundled product becomes wet, separate it, wipe it with a clean cloth and stack it to dry thoroughly. Handle materials carefully to avoid damage: don't drag materials over rough surfaces or each other; carry tools, don't drag them; protect from swarf.

Cutting

For cutting thin material on site, we recommend a circular saw with a metal-cutting blade for better finish and protection of paintwork.

Adverse conditions

If the product is to be used in marine, or in severe corrosive industrial environments, please seek advice from our information line.

Metal and timber compatibility

Do not allow this product, or its components, to make long-term contact with lead, copper, bare steel or most green or chemically-treated timbers.

Do not allow rainwater run-off from these products to flow over this product or its components. Supporting members should be coated to avoid underside condensation. If you have doubts about the compatibility of other materials, please seek advice from our information line.

Sealants

Use neutral-cure silicone sealants.

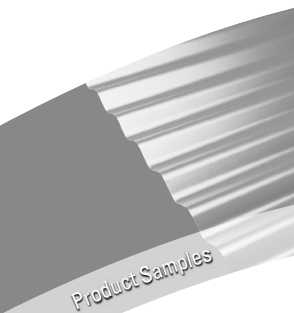
Disclaimer, warranties and limitation of liability

This publication is intended to be an aid for all trades and professionals involved with specifying and installing Lysaght products and not to be a substitute for professional judgement.

Terms and conditions of sale available at local BlueScope Lysaght sales offices.

Except to the extent to which liability may not lawfully be excluded or limited, BlueScope Steel Limited will not be under or incur any liability to you for any direct or indirect loss or damage (including, without limitation, consequential loss or damage such as loss of profit or anticipated profit, loss of use, damage to goodwill and loss due to delay) however caused (including, without limitation, breach of contract, negligence and/or breach of statute), which you may suffer or incur in connection with this publication.

© Copyright BlueScope Steel Limited December 1/4/2008.



Information, brochures and your local distributor **1800 641 417**

Please check the latest information which is always available at www.lysaght.com

LYSAGHT and FIRMLOK are registered trademarks of BlueScope Steel Limited, ABN 16 000 011 058. The LYSAGHT® range of products is exclusively made by BlueScope Steel Limited trading as BlueScope Lysaght. Printed 4/08. Bulb-tite and Hi-Tek are trademarks of ITW Buildex. Printed by BMP 2M0408

