



SupaZeds® & SupaCees®

Performance and value for purlins and girts

If you thought all steel purlins were the same, think again.

LYSAGHT SUPAZED and SUPACEE® profiles are the next super steps forward in purlin and girt design, because they deliver more performance per weight of steel than any purlin design before.

- Revolutionary ribbed web and curved lip builds extra strength
- Economical, because less steel does more work
- Technically advanced design
- Strong and versatile, reliable

Specify performance and value with LYSAGHT SUPAZED and SUPACEE. And designing with LYSAGHT SupaPurlins is made even easier with SupaPurlin design software which helps specify and provides order quantities quickly and easily.

Available in NSW, S.A. and Queensland only. Available in other states on enquiry.

SUPACEE Applications

- More aesthetic for uses in exposed applications. The shape is closed — like traditional boxed, tubular or solid shapes.
- Certain detailing is simpler with Cee sections, such as fascia/eaves purlins for gutter installation.

SUPAZED Applications

- Lapping ability provides continuity and double thickness material at the support regions which results in greater performance and more economical designs
- The nesting ability of Zeds results in considerably reduced volumes resulting in lower transport costs.



Structural Products



Rainwater Products



Fencing Products



Home Improvements



Roofing & Walling Products

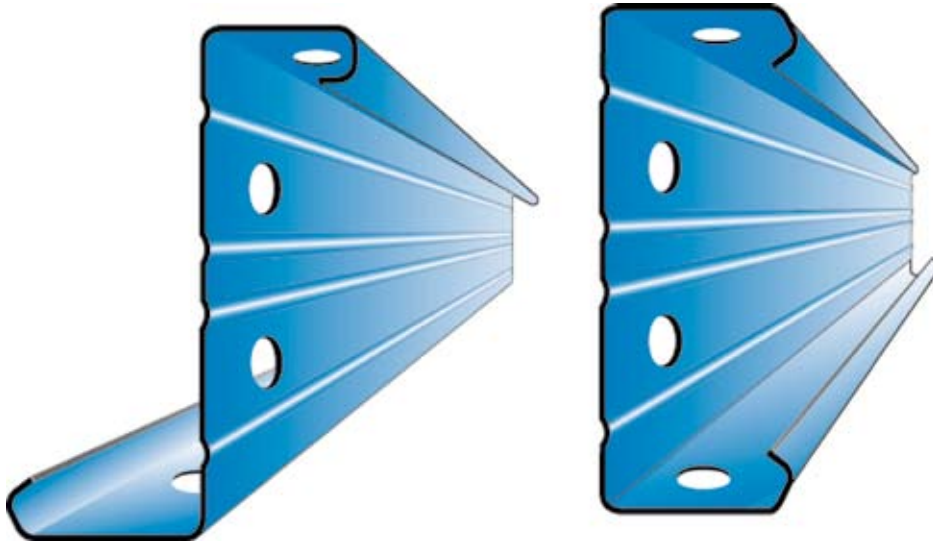


House Framing Products



Customer Support

Profiles and product data



SUPAZED profile

SUPACEE profile



SupaZed & SupaCee product range available

Availability by State	Product	Depth (mm)	Thickness (mm)
NSW, S.A. & Qld	Lysaght SZ/SC 15010	152	1.0
	Lysaght SZ/SC 15012		1.2
	Lysaght SZ/SC 15015		1.5
	Lysaght SZ/SC 15019		1.9
	Lysaght SZ/SC 15024		2.4
NSW, S.A. & Qld	Lysaght SZ/SC 20012	203	1.2
	Lysaght SZ/SC 20015		1.5
	Lysaght SZ/SC 20019		1.9
	Lysaght SZ/SC 20024		2.4
NSW, S.A. & Qld	Lysaght SZ/SC 25015	254	1.5
	Lysaght SZ/SC 25019		1.9
	Lysaght SZ/SC 25024		2.4
NSW, S.A. & Qld	Lysaght SZ/SC 30019	300	1.9
	Lysaght SZ/SC 30024		2.4
	Lysaght SZ/SC 30030		3.0
NSW, S.A. & Qld	Lysaght SZ/SC 35024	350	2.4
	Lysaght SZ/SC 35030		3.0
S.A. & Qld	Lysaght SZ/SC 40024*	400	2.4
	Lysaght SZ/SC 40030*		3.0
	Lysaght SZ/SC 40032*		3.2
Standard Zeds & Cees product range available			
NSW, S.A. & Qld	Lysaght Z/C 10010	102	1.0
	Lysaght Z/C 10012		1.2
	Lysaght Z/C 10015		1.5
	Lysaght Z/C 10019		1.9

* SZ/SC40024, SZ/SC40030 and SZ/SC40032 are available in Queensland & South Australia only and are subject to availability. Queensland and South Australia are able to supply downturned lipped purlins and are available upon request. Contact your local service centre for availability.

LYSAGHT SUPACEE & SUPAZED are the new purlin profiles that give you higher capacities and more economical solutions.

BlueScope Lysaght and Sydney University have patented SUPAZED and SUPACEE SupaPurlins because it is the first significant development in the field for a very long time.

And current industry design and installation practices remain unaffected.

Material

LYSAGHT SUPACEE & SUPAZED are roll-formed from hot-dipped, zinc-coated, high strength GALVASPAN® from BlueScope Steel. The steel strip conforms to AS 1397—1993 in the following grades.

- 1.0 mm BMT: AS 1397/G550 Z350
- 1.2 mm BMT: AS 1397/G500 Z350
- 1.5, 1.9, 2.4, 3.0, 3.2 mm BMT: AS 1397/G450 Z350

Increased design flexibility

Optimum design efficiency is achievable with the LYSAGHT SUPAZED and SUPACEE range.

As well as traditional purlin thicknesses, there are opportunities to reduce your gauge without sacrificing significant performance and achieve substantial cost savings.

It is this aspect of SupaPurlins technology that offers the most significant opportunity for designers, fabricators and builders.

SupaPurlins combine capacity, capability & cost effectiveness

Improved performance

Longitudinal web stiffeners significantly improve performance where web capacity in shear and/or bending governs. Significant increases in web capacity in bearing are achieved where direct bearing onto supports is required (for example, flooring).

The web stiffeners and return lip stiffeners significantly improve performance when bending capacity governs. Cost savings are achieved by reducing the steel required, meaning thinner purlins, fewer purlin rows, and less bridging.

This increases design flexibility.

This in turn leads to further savings:

- Reduced fabrication costs
- Reduced installation costs
- Reduced bolt requirements

Simple design

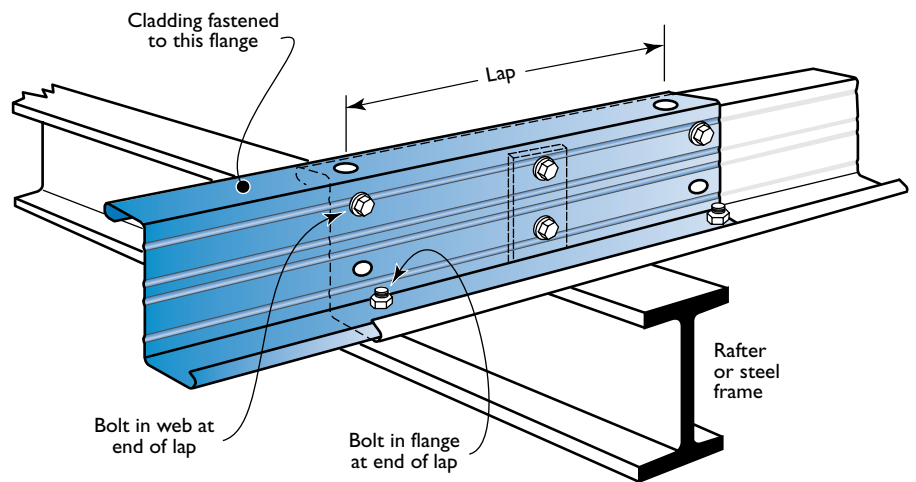
New software and a comprehensive user-friendly manual make design with SUPAZEDS & SUPACEES simple and fast.

Unique appearance

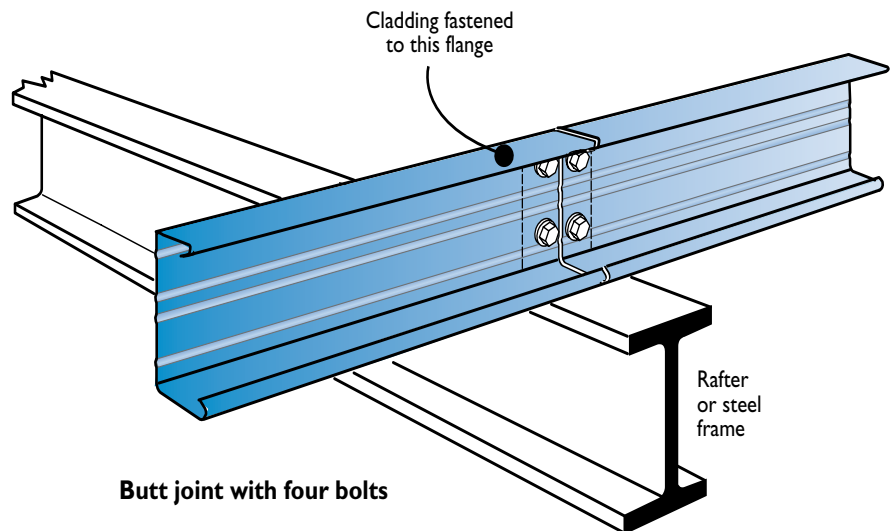
What you specify is what you get! The profile is easily identified, and that makes it easier for you to know that a lower-capacity purlin has not been substituted.

Versatility

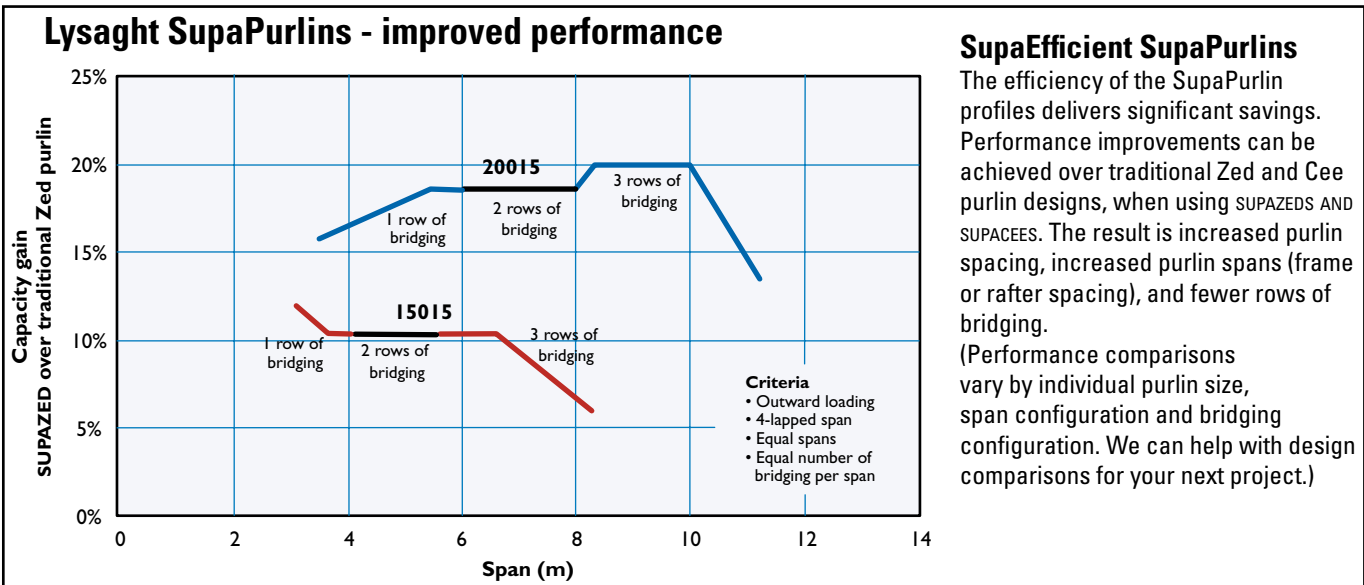
Whether you flange fix to supports or web fix to cleats, SUPAZEDS & SUPACEES can meet your needs.



SUPAZED: Typical installation showing traditional overlap and cleat fixing



SUPACEE: Typical installation showing traditional overlap and cleat fixing



SupaEfficient SupaPurlins

The efficiency of the SupaPurlin profiles delivers significant savings. Performance improvements can be achieved over traditional Zed and Cee purlin designs, when using SUPAZEDS AND SUPACEES. The result is increased purlin spacing, increased purlin spans (frame or rafter spacing), and fewer rows of bridging. (Performance comparisons vary by individual purlin size, span configuration and bridging configuration. We can help with design comparisons for your next project.)

Lysaght SupaZeds & SupaCees®

Now easiest-to-use on the job

Builder-friendly SupaPurlins

The easily identified LYSAGHT SUPAZED and SUPACEE patented profiles have a number of features which improve handling the purlins on a construction site.

Accepted packing, transport and handling methods

No adverse affect from the long established practices of nesting, bundling, transport and handling.

Accepted installation methods

Traditionally accepted industry installation practices work just as well with new Lysaght SupaPurlins. SUPAZEDS AND SUPACEES use the same cleat fixing, lapping, fly bracing and bridging as traditional purlins. Standard accessories can still be used.

Improvements in packing, handling and installation

The stiffeners in the new SupaPurlins offer a number of added benefits:

- Improved nesting prevents wedging/ interlocking of profiles in packs.
- Minimised face-to-face metal contact allows improved drainage of bundles and less likelihood of staining or locking of 'frozen' packs.
- Improved rigidity to allow for easy flipping of purlins for fixing to cleats and lapping.

The rounded, rather than sharp, lips provide further advantages:

- Improved site safety during handling
- Easy sliding on rafters and elimination of scratching of rafter surfaces during installation.



Efficiently bundled and stacked



Bridging detail



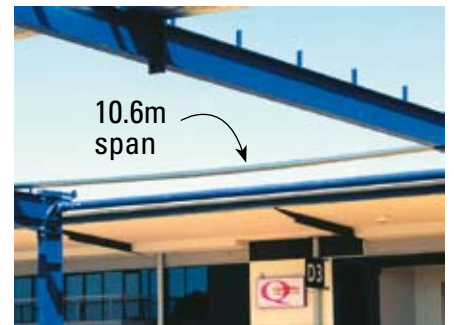
Clearly marked, easily identified



Improved nesting



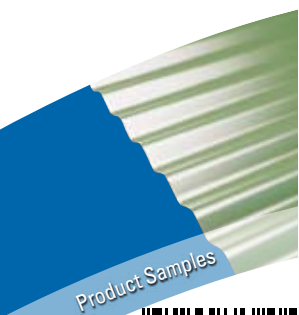
Lap, cleat & fly bracing detail



SZ20015 laid flat on side spanning 10.6m - now that's performance!



Easily handled



Information, brochures and your local distributor **1800 641 417**

Please check the latest information which is always available at www.lysaght.com

LYSAGHT, SUPAZED, SUPACEE and GALVASPAN are registered trademarks of BlueScope Steel Limited, ABN 16 000 011 058. The LYSAGHT® range of products is exclusively made by BlueScope Steel Limited trading as BlueScope Lysaght.

Printed by Benchmark Press 2M0107

